

High Transient 100kA - Lightning Arrestor 7/16 DIN Connectors and Replaceable Protective Elements



*High RF transmission K-Class unit shown

Features:

- ✦ 100kA Surge Protection
- ✦ Passes DC Current
- ✦ Frequency to 500MHz
- ✦ Excellent RF Performance
- ✦ Multiple Strike Capability
- ✦ Bi-directional Protection
- ✦ Rugged and Waterproof

RF Specifications

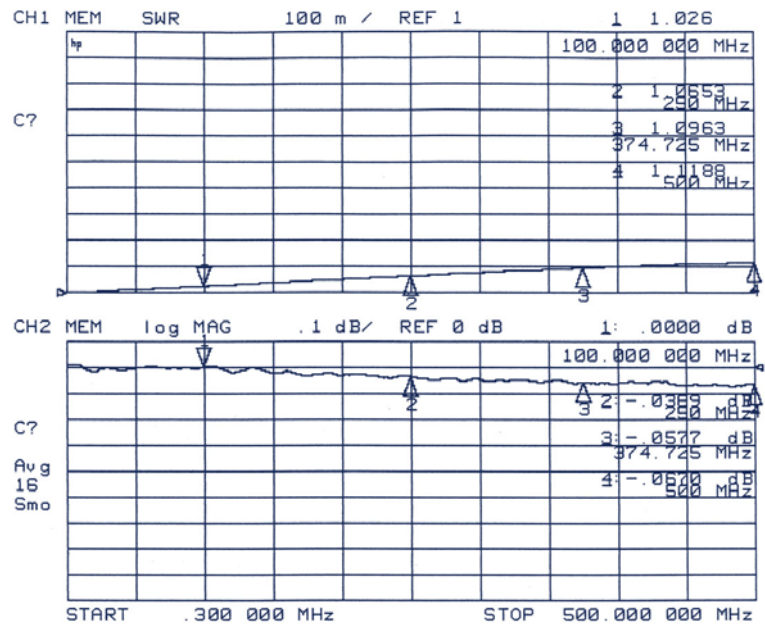
Frequency (MHz)	VSWR	Insertion Loss (dB)
dc – 500	1.12 Max	0.07 Max

- ✦ Nominal Impedance – 50Ω
- ✦ Through Voltage: +/-48Vdc
- ✦ RF Power: See Protection Voltage table
- ✦ Intermod Reduced

Transient Specifications

(1.2X50μs Voltage / 8X20μs Current waveform)

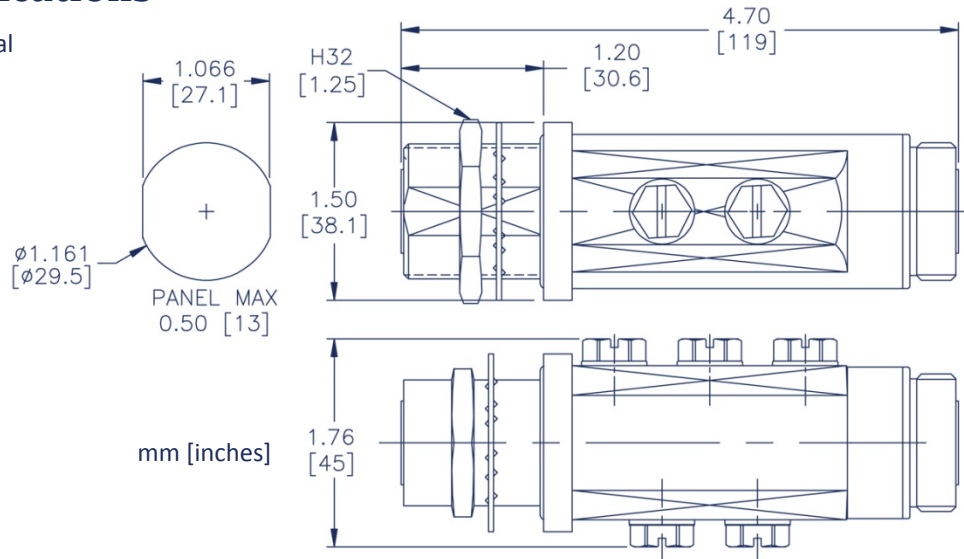
- ✦ Maximum Transient: 100kA
- ✦ Multiple Strike: 70kA 10x / 30kA 100x
- ✦ Let-through: See Protection Voltage table
- ✦ Replaceable Gas Discharge Tubes 90V to 1000V



Typical VSWR and Insertion Loss

Mechanical Specifications

Weight: 1.2 pounds / 544g typical



Material and Finish

Component	Material	Finish
Outer Parts	Brass	GuardPlate™
Center Contact	BeCu	Silver
Insulator	PTFE	-
Gasket	Si Rubber	-

Guardplate™ is an alloy finish with the PIM and conductivity of Silver and the durability and anti-tarnish properties of Nickel.

¹ For multiple carriers, sum of peak voltages should not exceed 60% of the protection voltage

² Substitute the voltage code for the "xx" in the part number

³ Input is 6kV@1.2x50μs / 3kA@8x20μs.

Protection Voltage

Protection Voltage ¹	Voltage Code ²	RF Power kW	Let-through ³ V _{pk} / mJ
90	09	37	600 / 0.3
150	15	95	600 / 0.3
230	23	240	650 / 0.5
350	35	550	800 / 0.7
470	47	1000	1200 / 2.2
600	60	1600	1500 / 4.4
800	80	2900	1900 / 9.0
1000	99	4500	2200 / 14

Environmental Specifications

Temperature Range	-40°C to +90°C
Salt Fog	MIL-STD-202 Method 101D / Condition A (35°C/96 hrs)
Immersion	MIL-STD-202 Method 104A / Condition A (65°C to 25°C w/NaCl – 2 cycles)
Moisture Resistance	MIL-STD-202 Method 106E (65°C/98% RH condensing/240 hrs)
Temperature Shock	MIL-STD-202 Method 107D / Condition B-1 (25 cycles -65°C to +125°C)
Life (Elevated Temperature)	MIL-STD-202 Method 108A / Condition A (96 hours at 100°C)
Dust and Waterproof Rating	IEC529 IP68 (dust-tight and water proof 24 hrs / 1 m)
Vibration	MIL-STD-202 Method 204D / Condition D (10Hz-2kHz 0.06"DA/20g)
Mechanical Shock	MIL-STD-202 Method 213 / Condition A (50g/11ms ~24")